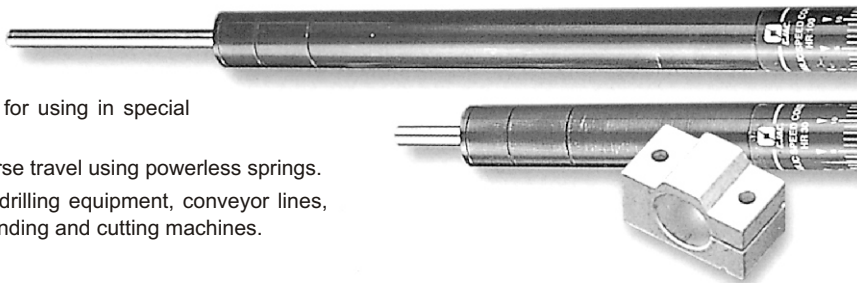
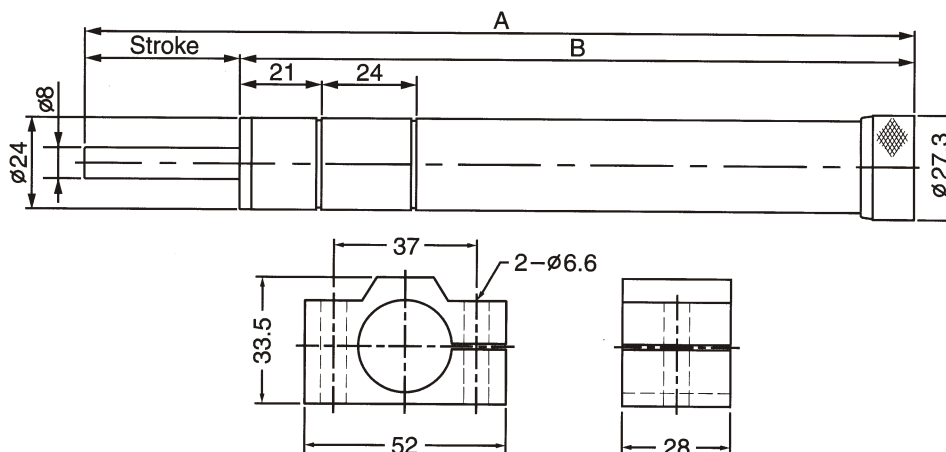


- Hydraulic Speed Controllers are ideal for all kind of cutting tools on machines which need continuous, stable feeding speed.
- Completely sealed construction with anti-dust function to prevent oil leakage, perfect for using in special environment.
- Feeding speeds freely are variable, with reverse travel using powerless springs.
- Small size easy to install, suitable for robot drilling equipment, conveyor lines, pneumatic tools, woodworking equipment, grinding and cutting machines.



### Specification

Order no.	A	B	Max. stroke (mm)	Operating temperature (°C)	Max. load	Weight (g)
MHR 30	202	172	30 mm	0-60°C	15~350kg	495 g
MHR 60	254	194	60 mm	0-60°C	15~350kg	615 g
MHR 80	336	256	80 mm	0-60°C	15~350kg	690 g
MHR 100	390	290	100 mm	0-60°C	15~350kg	765 g



### Application example:

